

# DEFENSE & SECURITY

INTERNATIONAL  
**ARMOUR**  
**GROUP** <sup>TM</sup>

[www.armour.gr](http://www.armour.gr)



## INNOVATION IS ONLY WORTH WHEN YOU PUT LIFE ABOVE ALL

To save lives in the ocean, without putting at risk the life of those who save, is a challenge as huge as the ocean itself.

A challenge fulfilled with success.

U-SAFE is an absolutely innovative float in the world.

300 years after the invention of the float lifesaver, Noras Performance introduces its reinvention to the world, enriching it with the design and technology that will save more and better.

Electrical Propulsion	
Weight	8 kg
Floatability	200 kg
Autonomy	40 min
Range	3 miles
Speed	15 knots
Size	100 x 80 x 20 cm



It is self-propelled, remote controlled and works in any position under the most adverse conditions.

It also has its own navigation and guidance system.

A float that was born to save lives in a simple, fast and safe way.



### Simple

U-SAFE is a lightweight float, easy to launch into water in any situation and from any platform. It is even easier to maneuver by remote control until you get to those in trouble.



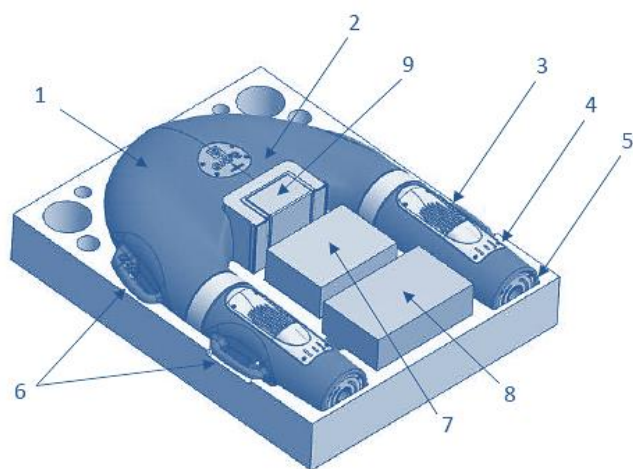
### Fast

U-SAFE overcomes the most difficult waves and never loses its direction, always reaching those who need help in the least possible time.



### Safe

U-SAFE saves lives without endangering the lives of those who save.



1. U-Safe Buoy
2. Battery area
3. Water inlet
4. Engine area
5. Water outlet
6. Handles
7. Package of the U-Safe Battery
8. Package of the chargers and remote control
9. Optional: U-Safe Charging support



### BATTERY

Capacity 25.2V, 27Ah, 680Wh

Max. discharge current  $20A \times 9 = 180A$

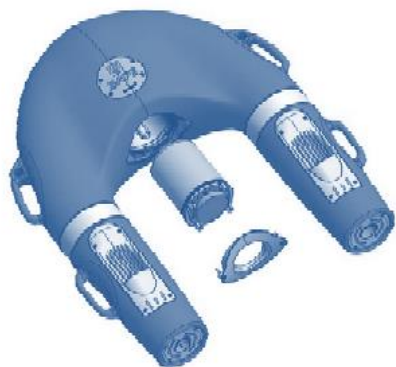
Charge time – Wireless (20W)  $27Ah/0.794A = 34h$

Fast time – Wired (125W)  $27Ah/5A = 5h$

Discharge time (50A x 2) (at least) 16.2min



### Battery assembly on the body float



- To assemble the battery, align a tab between a battery and a battery compartment and insert a battery on the U-Safe Battery compartment.
- To lock the battery, set it 45 ° clockwise, check if the battery is locked.
- Finally, install the cover and tighten the screws.

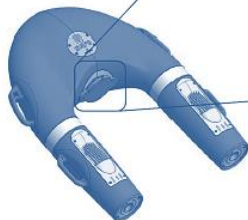
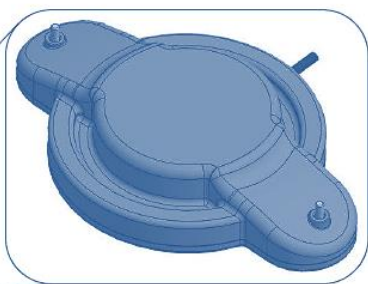


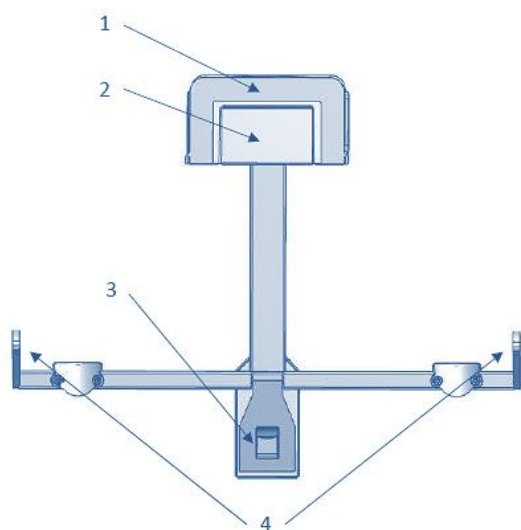
### Command Loader

- The U-Safe command holder allows induction charging.
- The command charger allows the U-Safe Control to be fitted, only by turning the face of the control that contains the button down and slide it into the channel on the charger.

### Induction charging

- Induction charger with quick-fit system.
- The metal pins on the charger allows the charger to be easily attached .
- To attach the battery charger, make sure that the metal pins on the charger are aligned with the U-Safe Boom bolts and apply pressure until the pins enter the bolt head.

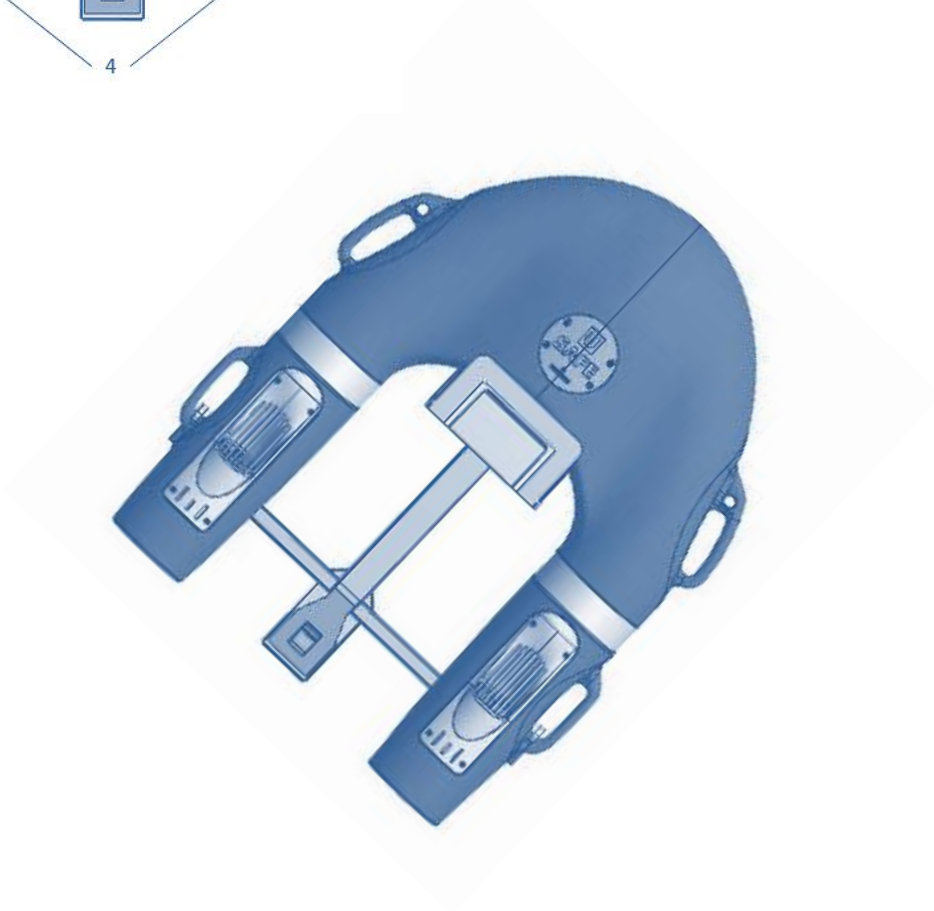




### Support

- Support with induction charger and compartment for the command also with induction charger.
- The quick release system allows U SAFE to be easily removed from the holder.

1. U-Safe loading zone
2. Command loading compartment
3. Quick Release System
4. Float Fixing System





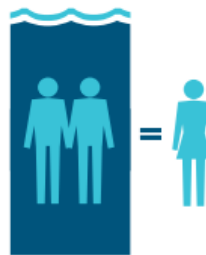
## DROWNING KEY FACTS



Globally,  
**OVER HALF**  
of all drowning  
deaths are among  
those aged  
**UNDER  
25 YEARS**



There are  
approximately  
**42**  
**DROWNING  
DEATHS  
EVERY HOUR,**  
every day



**MALES  
ARE TWICE  
AS LIKELY**  
to drown as  
females



The drowning  
death toll is almost  
**TWO THIRDS**  
that of malnutrition  
and well  
**OVER HALF**  
that of malaria



Drowning rates  
in low- and middle-  
income countries are  
**OVER  
THREE TIMES  
HIGHER**  
than in high-income  
countries



Drowning is  
one of the  
**10 LEADING  
CAUSES  
OF DEATH**  
for people aged  
1-24 years in every  
region of the world



Alcohol use around  
water is an  
**IMPORTANT  
RISK FACTOR**  
for drowning in  
many countries,  
especially for  
adolescents and  
adults<sup>6</sup>

